

Features:

G002564230 / G002564231

- Vitreous China
- 1.1/1.28 gpf High Efficiency, 1.6 gpf Low Consumption
- Round Front Back Spud Bowl
- Siphon Jet
- Back Spud
- Spud G0099260 1-1/2" X 1-1/4" For Flushometer Valve-Specify G002564230 Included
- Spud G0099255 1-1/2" X 1-1/2" For Flushometer Valve-Specify G002564231 Included
- Flushometer Valve not Included
- Toilet seat not Included



Technical Information:

Configuration	Round Front Back Spud Bowl
Water per Flush	1.1/1.28/1.6 gpf (4.1/4.8/6.0 Lpf)
Rough-In	10"
Height	14 3/4"
Width	14 3/8"
Depth	19 1/4"
Trapway (min)	1 5/8"
Large Water Surface	7 1/16" x 6 5/16"
Shipping weight Bowl	39 lbs

Accessories: (To Be Purchased Separately)

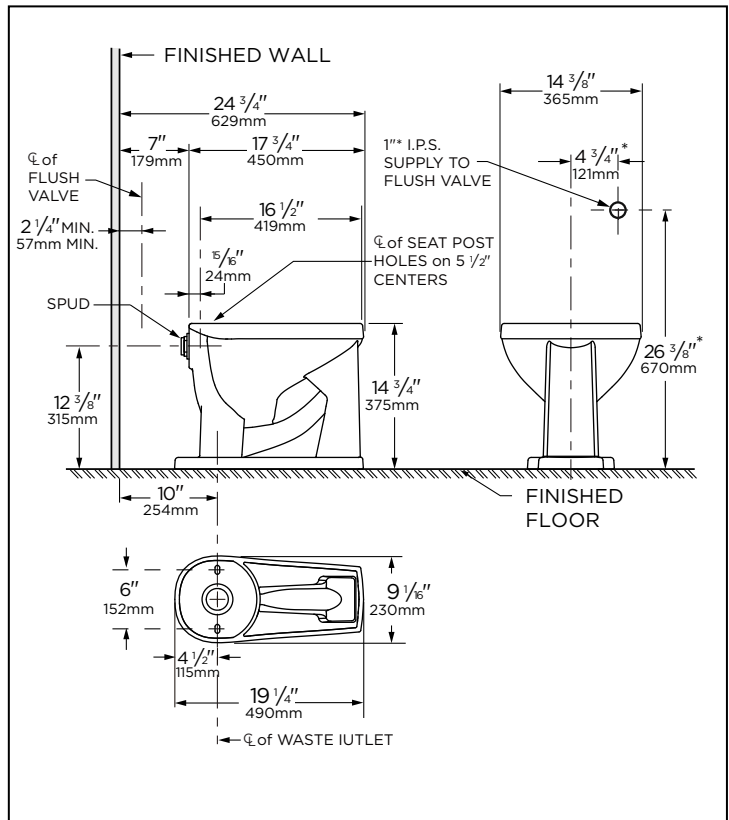
N/A

Available Colors:

- White Only
- Other: Refer to Price Book for additional colors/finishes

Warranty:

- Limited Lifetime on Vitreous China, refer to the website for more details.



NOTES: All dimensions are in inches and millimeter. Illustrations may not be drawn to scale.

*This measurement may vary. Use flush valve manufacturer's recommended rough-in.

RECOMMENDED STATIC WATER PRESSURE FOR PLUMBING FIXTURES IS 20 - 80 PSI STATIC PER ANSI STANDARDS ASME A112.19.2/CSA B45.1

IMPORTANT:

Dimensions of fixtures are nominal and may vary within the range of tolerances established by ASME standard A112.19.2/CSA B45.1 THIS FIXTURE QUALIFIES ACCORDING TO ASME TEST PROCEDURES AS EITHER AS HIGH EFFICIENCY WATER CLOSET WITH AN AVERAGE CONSUMPTION OF 1.1 gpf (4.1 Lpf), OR 1.28 gpf (4.8 Lpf), OR A LOW CONSUMPTION WATER CLOSET WITH AN AVERAGE CONSUMPTION OF 1.6 gpf (6.0 Lpf). WATER CLOSET CONSUMPTION IS DETERMINED BY THE FLUSHOMETER.